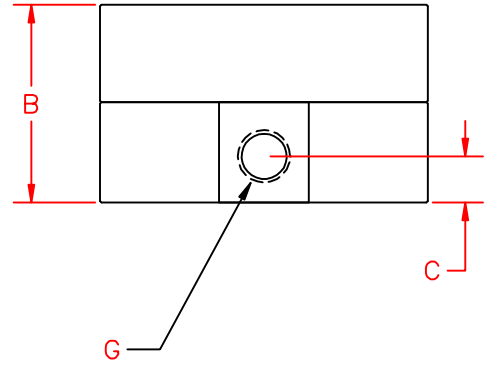
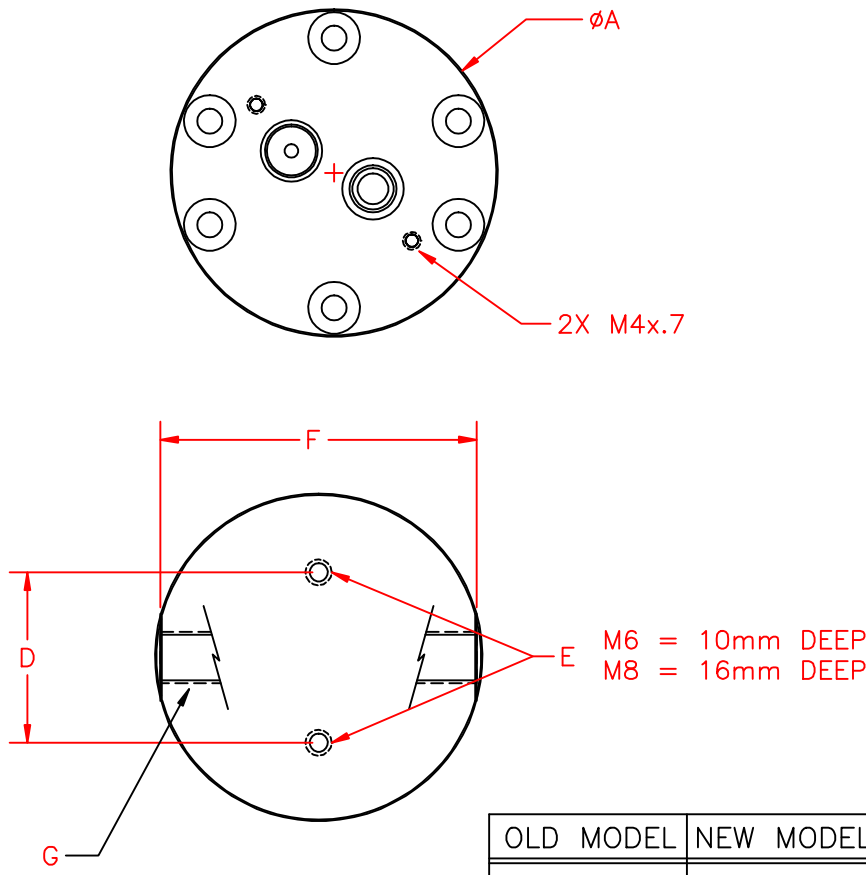


JVx-xxCG DIMENSIONS



DIMENSIONS = (mm / inch)

OLD MODEL	NEW MODEL	PUL/GAL (AVERAGE)	A	B	C	D	E	F	G
- - -	JVM-01CG	155,000	76 (2.99)	46 (1.81)	10.5 (0.41)	44 (1.73)	M6	72 (2.83)	1/4" NPT
JVM-10C	JVM-10CG	100,300	76 (2.99)	46 (1.81)	10.5 (0.41)	44 (1.73)	M6	72 (2.83)	1/4" NPT
JVM-15C	JVM-15CG	31,000	84.4 (3.32)	51 (2.01)	12 (0.47)	44 (1.73)	M6	80 (3.15)	1/4" NPT
JVM-20C	JVM-20CG	15,900	84.4 (3.32)	55 (2.17)	12 (0.47)	44 (1.73)	M6	80 (3.15)	1/4" NPT
- - -	JVM-30CG	6,600	84.4 (3.32)	67 (2.64)	13 (0.51)	44 (1.73)	M6	80.4 (3.17)	1/2" NPT
JVM-60C	JVM-60CG	1,800	125 (4.92)	107 (4.21)	19 (0.75)	60 (2.36)	M8	119 (4.69)	3/4" NPT

DIMENSIONS SUBJECT TO CHANGE WITHOUT NOTICE

AW-LAKE COMPANY USE ONLY

THIS PRINT, INCLUDING THE INFORMATION CONTAINED IN IT, IS THE PROPERTY OF AW-LAKE COMPANY. IT IS CONSIDERED PROPRIETARY IN NATURE AND MAY NOT BE USED OR DISCLOSED OUTSIDE OF AW-LAKE COMPANY, EXCEPT UNDER PRIOR WRITTEN AGREEMENT. ANY MODIFICATIONS MADE TO OR COMMENTS WRITTEN ON THIS DRAWING BY UNAUTHORIZED PERSONNEL WILL VOID THIS DRAWING. ALL DIMENSIONS SHOWN ARE SUBJECT TO CHANGE WITHOUT NOTICE.



2440 W. Corporate Preserve Dr. #600
Oak Creek, WI 53154
Phone: 414.574.4300
Fax: 414.574.4301

TITLE: JVM-XXCG DIMENSIONS			
DRAWING NUMBER: CG1D100H		PART NUMBER: -	
DATE: 02-09-05	REV: H	DRAWN BY: CHRIS HUSSON	
CHECKED BY: C.H.	PAGE 1 OF 1	SCALE: NONE	