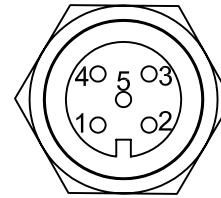
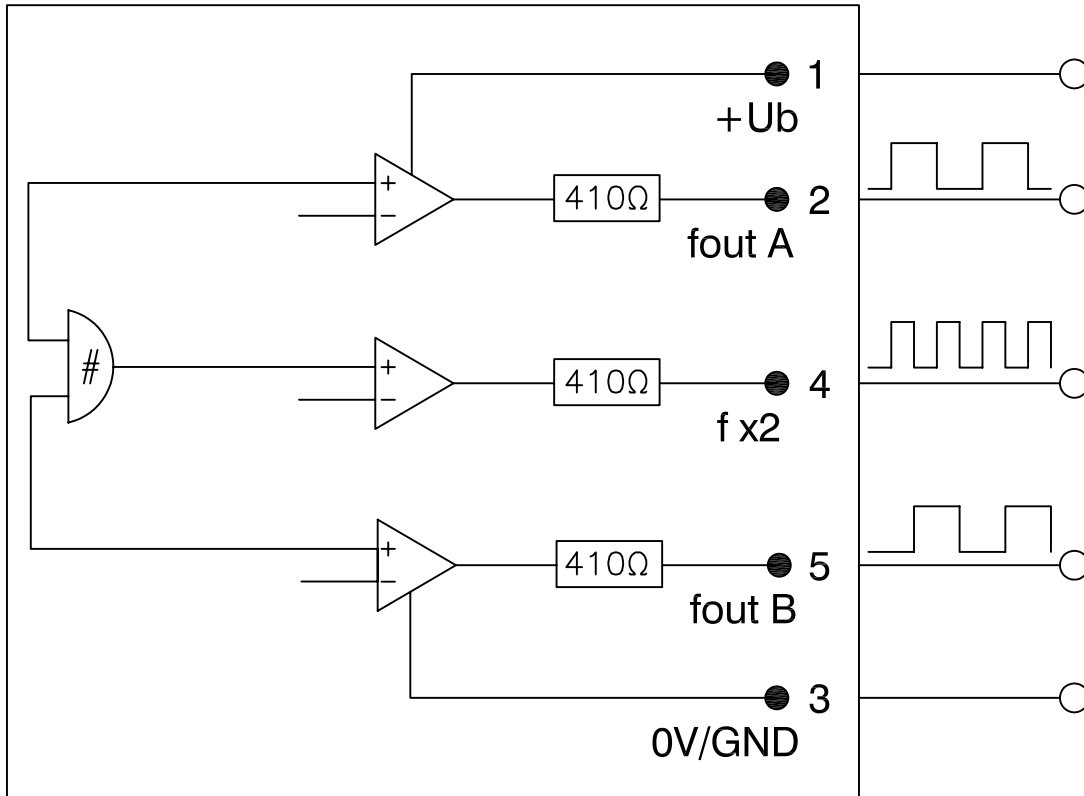
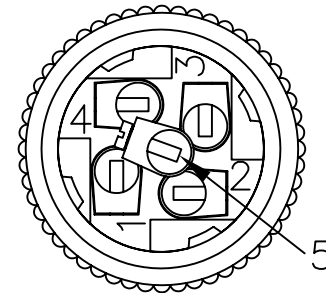


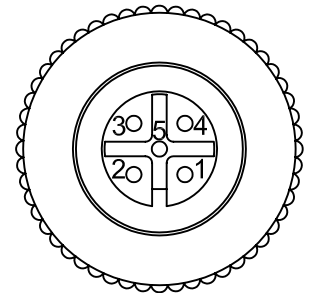
# SRZ-40 STAT HELICAL FLOWMETER WITH DUAL INTEGRAL SENSOR



- 1 = +Ub (12 TO 30 VDC)
- 2 = FREQ. A OUT (1X)
- 3 = 0V
- 4 = FREQ. A+B OUT (2X)
- 5 = FREQ. B OUT (1X)



MATING  
CONNECTOR  
REAR VIEW



MATING  
CONNECTOR  
FRONT VIEW

REV.	DESCRIPTION OF CHANGE	DATE	BY
B	ADDED WAVEFORMS & OUTLINE BOX	04-30-09	FJ
A	INITIAL RELEASE	09-12-07	FJ

AW COMPANY USE ONLY

THIS PRINT, INCLUDING THE INFORMATION CONTAINED IN IT, IS THE PROPERTY OF AW COMPANY. IT IS CONSIDERED PROPRIETARY IN NATURE AND MAY NOT BE USED OR DISCLOSED OUTSIDE OF AW COMPANY, EXCEPT UNDER PRIOR WRITTEN AGREEMENT. ANY MODIFICATIONS MADE TO OR COMMENTS WRITTEN ON THIS DRAWING BY UNAUTHORIZED PERSONNEL WILL VOID THIS DRAWING. ALL DIMENSIONS SHOWN ARE SUBJECT TO CHANGE WITHOUT NOTICE.



2440 W. Corporate Preserve Dr. #600  
Oak Creek, WI 53154  
Phone: 414.574.4300  
Fax: 414.574.4301

TITLE: SRZ-40STAT W/DUAL SENSOR			
DRAWING NUMBER: SRZ40A900A		PART NUMBER: BD00056	
DATE: 09-12-07	REV: A	DRAWN BY: FRED JACOBSON	
CHECKED BY: F.J.	PAGE 1	OF 1	SCALE: NONE